

DF58 (A338)

DIGRF1 (A338)

PARTS CATALOG

INTRODUCTION

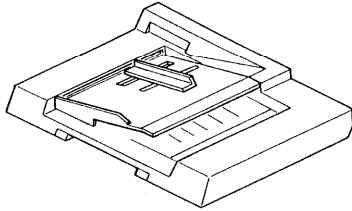
This chapter instructs you the numbers and names of this parts on this machine.

INDEX to PARTS CATALOG

Location of Unit	3
1. Exterior (A338)	4
2. Original Transport Section 1 (A338)	6
3. Original Transport Section 2 (A338)	8
4. Transport Section (A030)	10
5. Paper Exit Section (A030)	12
6. Drive Section (A338)	14
7. Electrical Section (A030)	16
8. Main Control Board (A338)	18
9. Main Harness (A030)	20
10. Decal and Document	22
Parts Index	25

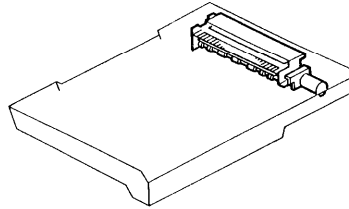
LOCATION OF UNIT

1. EXTERIOR (A338)



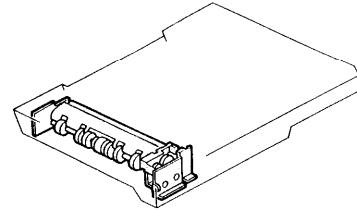
See Page 4

2. ORIGINAL TRANSPORT SECTION 1 (A338)



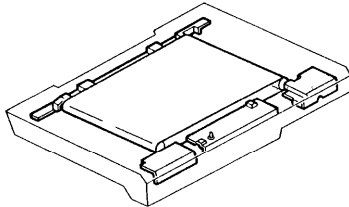
See Page 6

3. ORIGINAL TRANSPORT SECTION 2 (A338)



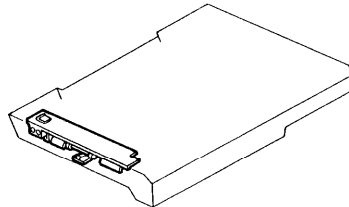
See Page 8

4. TRANSPORT SECTION (A338)



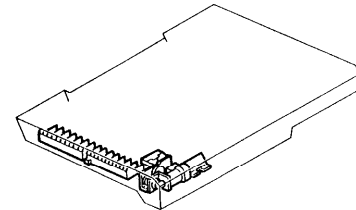
See Page 10

5. PAPER EXIT SECTION (A338)



See Page 12

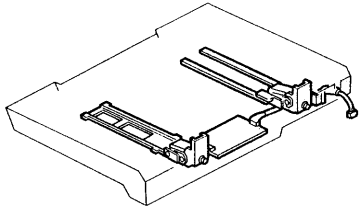
6. DRIVE SECTION (A338)



See Page 14

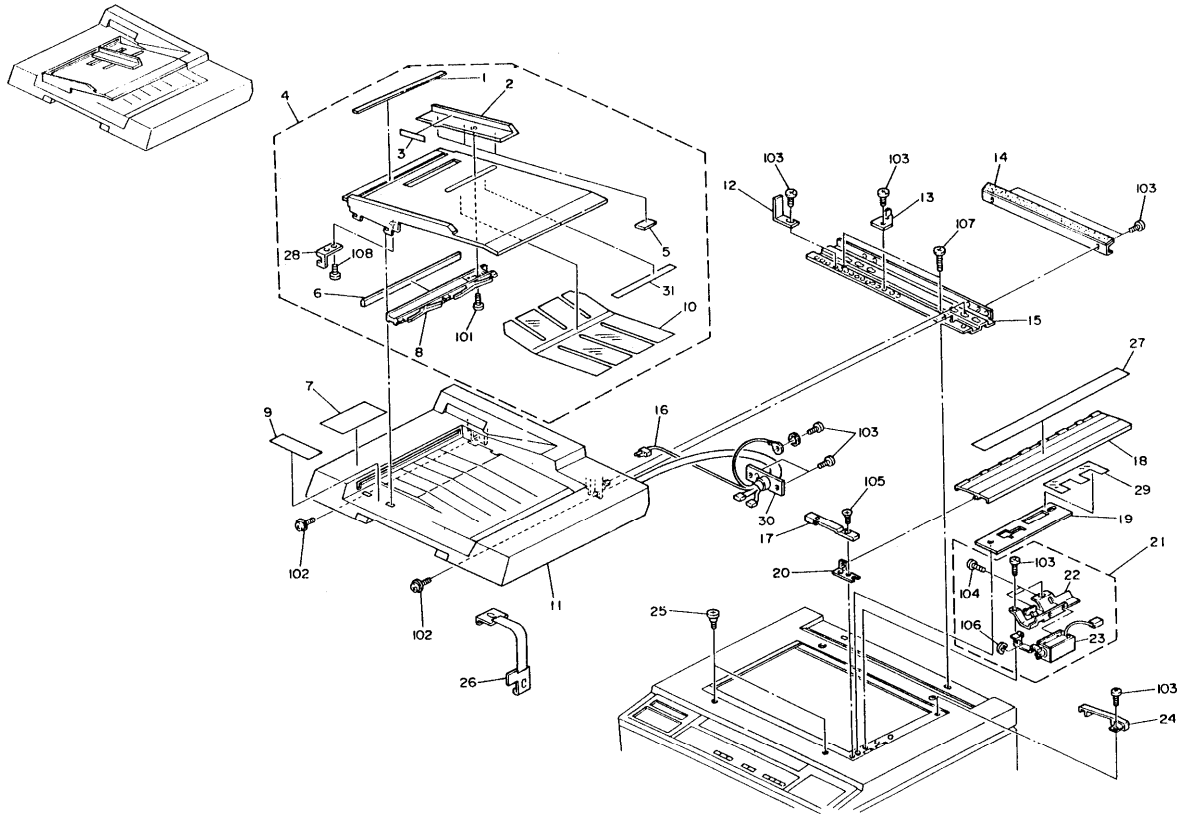
LOCATION OF UNIT

ELECTRICAL SECTION (A338)



See Page 16

1. EXTERIOR (A338)

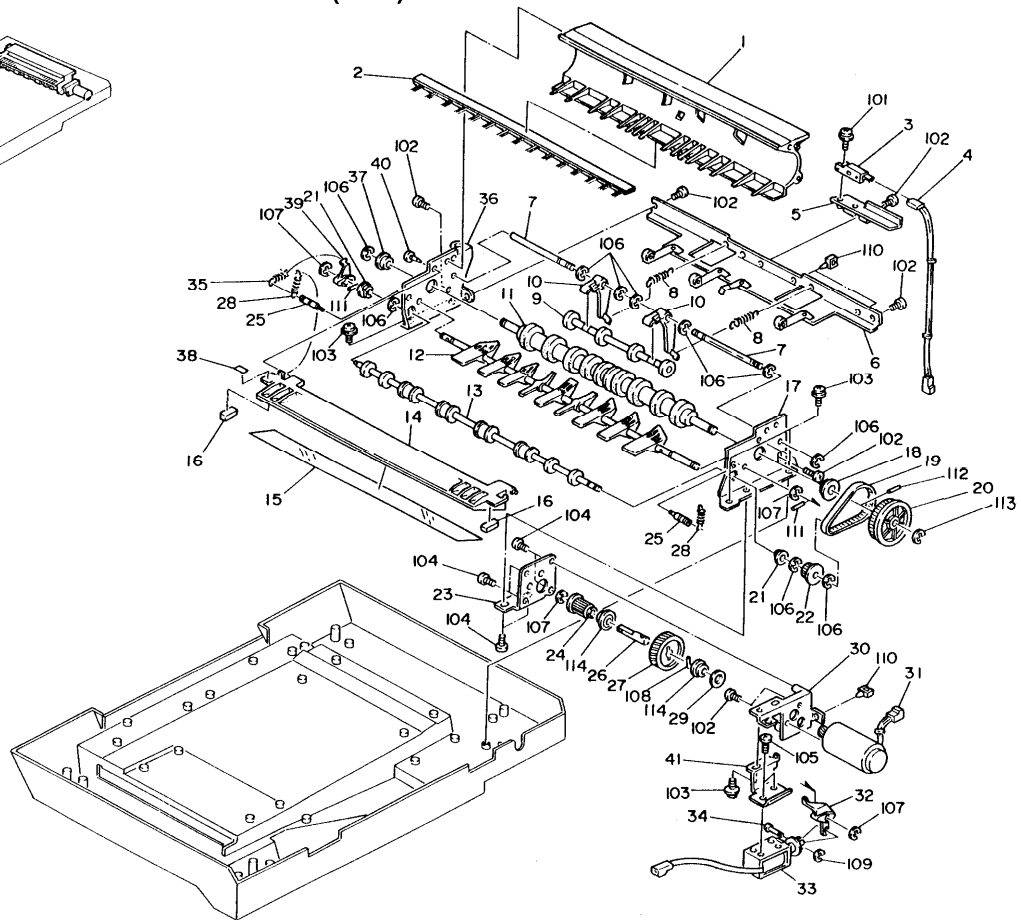
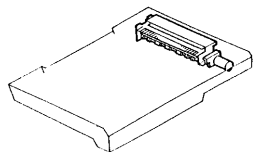


1. EXTERIOR (A338)

Index No.	Part No.	Description	Qty Per Assembly
1	A437 1335	Original Table Magnet	1
2	A437 1366	Original Side Guide	1
3	A437 2025	Decal - Original Limit	1
4	A437 0656	Original Table Ass'y - LT	1
5	58942747	Mylar - Original Guides	1
6	A437 1361	Mylar - 1x6x170	1
7	A338 2024	Decal - Misfeed Removal	1
8	A437 1376	Guide Slide	1
9	A437 2031	Original Table Decal	1
10	A437 1385	Original Exit Guide	1
11	A437 1301	DF Upper Cover (RIC)	1
11	A437 1303	DF Upper Cover (NRG)	1
12	A338 1530	Sensor Plate	1
13	A437 1179	Lift Switch Actuator	1
14	A437 1125	Angle Stopper	1
15	A338 1183	Mounting Bracket	1
16	A422 5200	Main Harness	1
17	A338 1194	Front Scale Hinge	1
18	A338 1191	Right Scale	1
19	A338 1784	Right Scale Sheet	1
20	A338 1200	Support Plate	1
21	A338 1190	Scale	1
22	A338 1780	Solenoid Bracket	1
23	A338 6319	DC Solenoid	1
24	A338 1195	Rear Scale Hinge	1
25	A012 1256	Shoulder Screw - M10	2
26	A338 1800	ADF Fixing Band	1
27	A338 1203	Decal - Scale (RIC)	1
27	A338 1204	Decal - Scale (NRG)	1
28	A437 1610	Supporting Plate - Table	1
29	A338 1781	Sheet - 0.2x21x306.5	1
30	A338 1178	Harness Bracket - ADF	1
31	A437 1380	Mylar - 0.1x5.5x313	1

Idx .	Part No.	Description
101	0413 0082W	Tapping Screw - M3x8
102	0951 4005W	Phillips Screw With Flat Washer - M4x5
103	0314 0050B	Phillips Pan Head Screw - M4x5
104	0957 3006W	Phillips Screw - M3x6
105	0323 0060B	Phillips Sunk Screw - M3x6
106	0720 0020E	Retaining Ring - M2
107	0315 0100B	Phillips Pan Head Screw - M5x10
108	0314 0060W	Phillips Pan Head Screw - M4x6

2. ORIGINAL TRANSPORT SECTION 1 (A338)

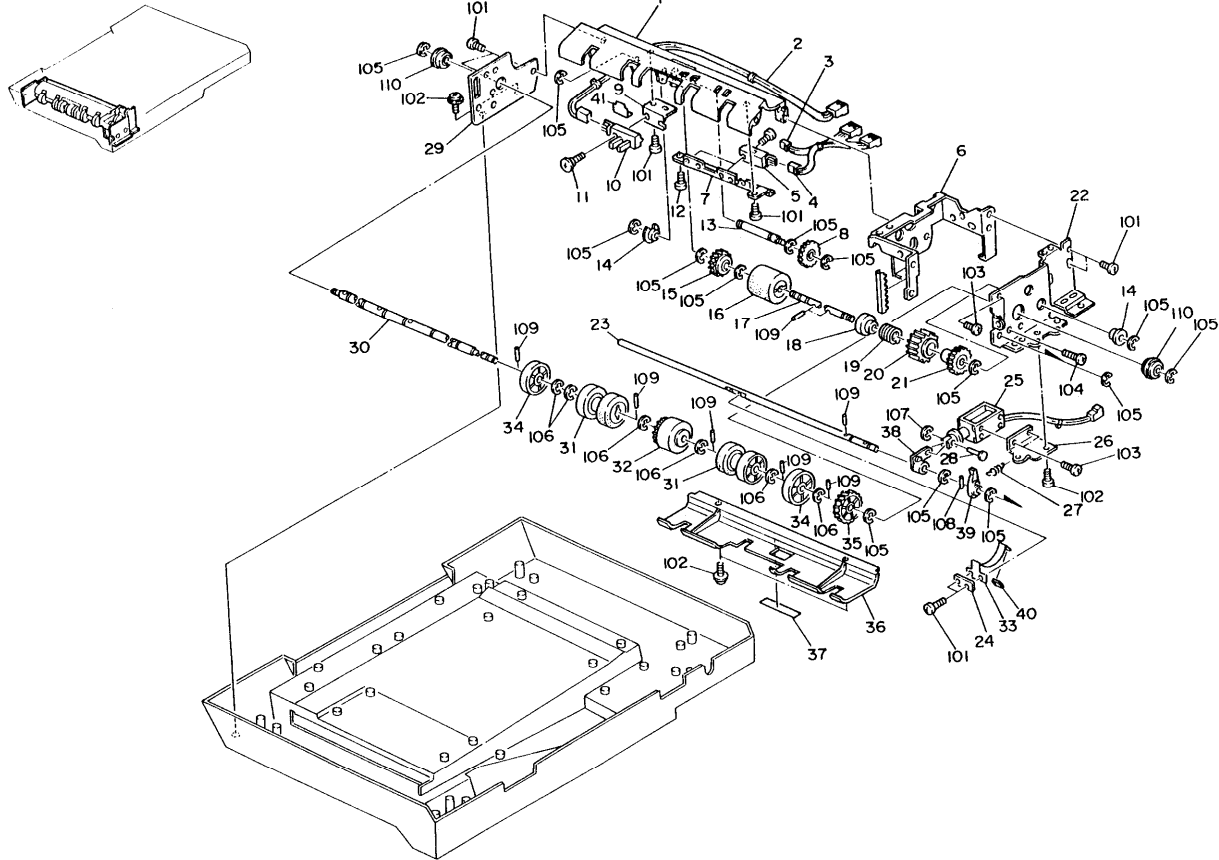


2. ORIGINAL TRANSPORT SECTION (A338)

Index No.	Part No.	Description	Qty Per Assembly
1	A437 1255	Inverter Guide Plate	1
2	A422 1257	Antistatic Brush	1
3	A422 5270	Photosensor	1
4	A422 5203	Feed-out Sensor Harness	1
5	A422 1251	Bracket - Exit Sensor	1
6	A437 1245	Upper Exit Roller Ass'y	1
7	A422 1218	Pressure Lever Shaft	2
8	A422 1219	Pressure Lever Spring	2
9	A422 1216	Inverter Support Roller	1
10	A422 1217	Pressure Lever	2
11	A4972090	Inverter Roller	1
12	A4221230	Inverter Pawls	1
13	A4221240	UpperExitRoller	1
14	A4970447	Inverter Guide	1
15	A4972024	PaperGuideMylar	1
16	A4972025	Cushion-5x5x3	2
17	A4221276	Rear Side Plate - Feed-out	1
18	A4221079	Bushing -8x16x5mm	1
19	A4221270	Timing Belt-81XL	1
20	A4091143	Pulley - 50T	1
21	50530447	Bushing-6mm	1
22	A409 1161	Pulley - 21T	2
23	A4221260	Front Side Plate	1
24	A409 1192	Pulley - 15T	1
25	A409 1150	Spring Anchor	2
26	A409 1195	Exit Drive Shaft	1
27	A422 1265	Gear-46T	1
28	A4221226	Spring -InverterGuide Plate	2
29	A4091197	Spacer- 10x16x1.6mm	1
30	A422 1261	Rear Side Plate	1
31	A4225310	Feed-out Motor-DC10W	1
32	A4221235	Rear Lever	1
33	A4225255	Solenoid -DC24V(inverter)	1
34	58942229	Solenoid Pin	1
35	A4221231	InverterGate Spring	1

Index No.	Part No.	Description	Qty Per Assembly
36	A4221275	Front Side Plate - Feed-out	1
37	A4221078	Bushing-6x12x4mm	1
38	A4222030	Decal - Inverter Guide Plate	1
39	A4221234	Front Lever	1
40	54462824	Screw - Duplex Guide Plate	1
41	A4221232	Inverter Solenoid Bracket	1
101	0951 3010V	PhillipsScrew With Flat Washer -M3x10	1
102	03140060V	Philips PanHead Screw - M4x6	1
103	0951 4006V	PhilipsScrewWith FlatWasher-M4x6	1
104	0951 3006V	PhilipsScrewWith FlatWasher-M3x6	1
105	03130040V	Philips PanHead Screw -M3x4	1
106	07200040E	Retaining Ring - M4	1
107	07200030E	Retaining Ring - M3	1
108	06320100(Pin - 2x10mm	1
109	07200025E	Retaining Ring - M2.5	1
110	11050199	Clamp	1
111	06320080(Parallel Key - 2x8mm	1
112	06330120(Parallel Pin - 3x12	1
113	07200060E	Retaining Ring -M6	1
114	07423905	Ball Bearing -5x13x4mm	1

3. ORIGINAL TRANSPORT SECTION 2 (A338)

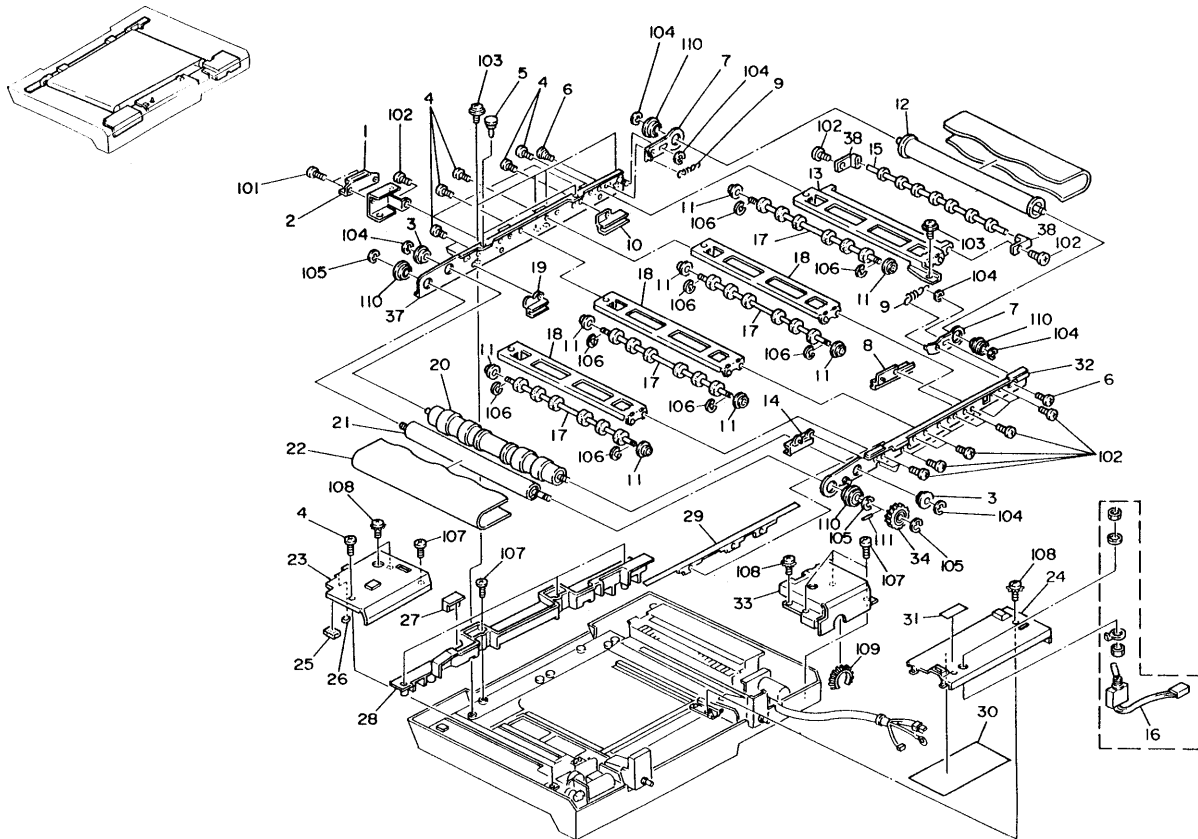


3. ORIGINAL TRANSPORT SECTION (A338)

Index	Part No.	Description	Qty Per Assembly
1	A437 1026	Upper Guide Plate	1
2	A422 5201	Interface Harness	1
3	A422 5207	Harness - Registration	1
4	A422 5208	Harness - Paper Size	1
5	A422 5270	Photosensor	2
6	A318 1021	Side Plate	1
7	A437 1093	Sensor Bracket	1
8	A422 1042	Idle Gear -222	1
9	A422 1047	Set Sensor Bracket	1
10	52055250	LED Sensor Type S	1
11	A422 1087	Shoulder Screw- M3x3	1
12	58752088	Shoulder Screw - M4	1
13	A4221044	Idle Shaft	1
14	A422 1078	Bushing - 6x12x4mm	2
15	A422 1051	Gear - 23T	1
16	A422 1046	Pick-up Roller	1
17	A422 1048	Pick-up Shaft	1
18	A4221002	Clutch Boss	1
19	59182163	Clutch Spring	1
20	59182164	Clutch Sleeve	1
21	A4221001	Gear-24Z	1
22	A318 1510	Rear Side Plate	1
23	A422 1601	Pick-upShaft	1
24	A4221602	Pick-up Lever Plate	1
25	A4225255	Solenoid -DC24V(invertor)	1
26	A4221033	Pick-up Solenoid Bracket	1
27	A422 1082	Pick-upSpring	1
28	58942229	Solenoid Pin	1
29	A4221072	Front Side Plate	1
30	A4221023	Feed RollerShaft	1
31	A318 1090	Side Roller	2
32	A4971034	Original Feed Roller	1
33	A422 1600	Pick-up Lever	1
34	A4221045	Pull-out Roller	2
35	A422 1041	Gear - 27T	1

Index No.	Part No.	Description	Qty Per Assembly
36	A4221025	Original Guide	1
37	A4221396	Mylar -0.125x14x45.5	1
38	A4221032	Lever- Pick-upSolenoid	1
39	A4221031	Lever- Pick-upSpring	1
40	A4221603	Seal-2x8x14	1
41	A4651027	GuidePlate-Paper Feed	1
101	0314 0060W	Philips Pan Head Screw- M4x6	
102	09514006W	PhilipsScrewWith FlatWasher-M4x6	
103	0313 0040W	Philips PanHead Screw -M3x4	
104	0313 0100W	Philips Pan Head Screw -M3x10	
105	07200040E	Retaining Ring - M4	
106	0720 0060E	Retaining Ring - M6	
107	07200025E	Retaining Ring - M2.5	
108	06320080G	Parallel Key - 2x8mm	
109	06320100G	Pin - 2x10mm	
110	07413506	Ball Bearing - 6x12x4mm	

4. TRANSPORT SECTION (A338)

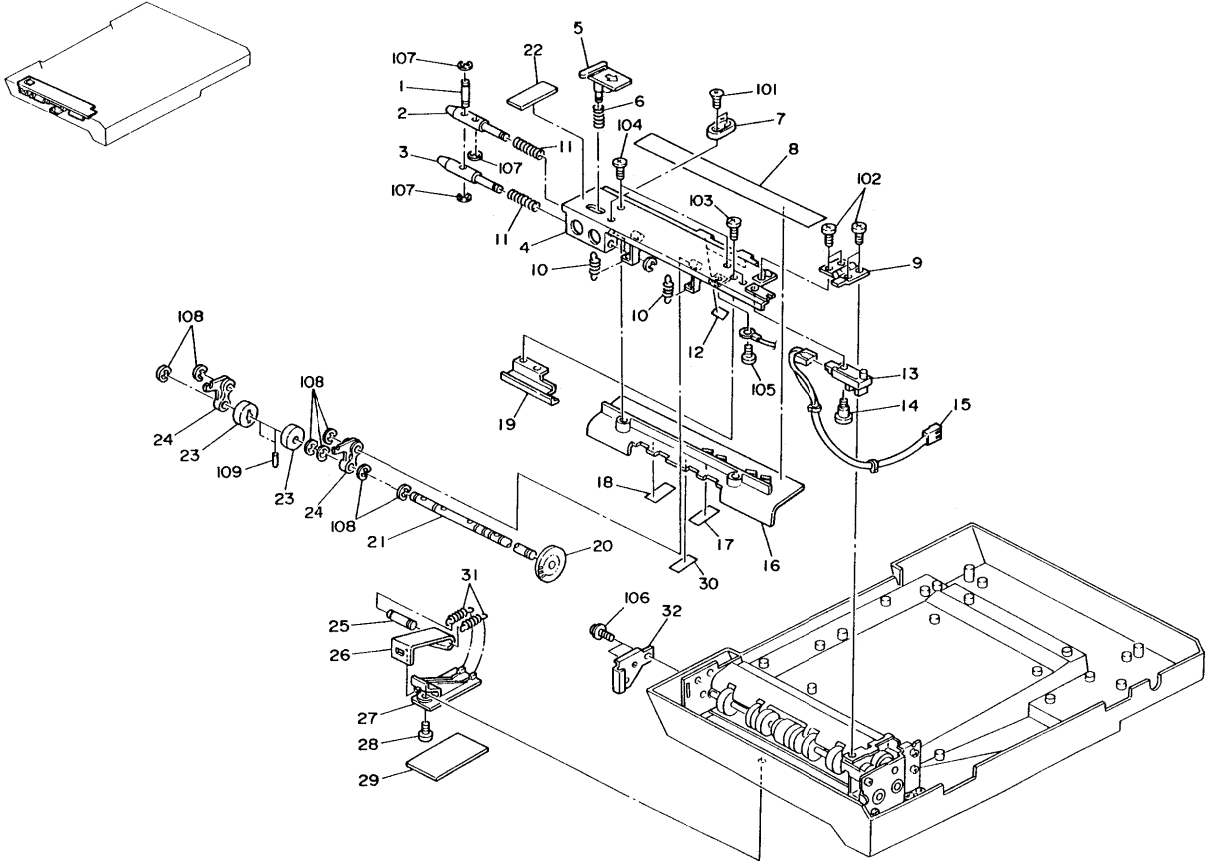


4. TRANSPORT SECTION (A338)

Index No.	Part No.	Description	Qty Per Assembly
1	59362480	Magnet Catch Ass'y	2
2	A437 1112	Magnet Catch Bracket	2
3	A422 1078	Bushing - 6x12x4mm	2
4	58752088	Shoulder Screw - M4	6
5	A437 1108	Stopper	2
6	AA143005	Stepped Screw - M4x2.5	2
7	A437 1120	Bracket - Belt Tension Spring	2
8	A422 1188	Belt Guide - Rear Right	1
9	A422 1112	Belt Tension Spring	2
10	A422 1187	Belt Guide - Front Right	1
11	54473655	Bushing - 4mm	8
12	A422 1114	Driven Roller - Transport Belt	1
13	A437 1106	Support Roller Stay	1
14	A422 1186	Belt Guide - Rear Left	1
15	A437 1109	Belt Support Roller	1
16	59365348	Thin Original Feed Switch	1
17	A465 1118	Belt Support Roller	4
18	A422 1107	Stay - Belt Support Roller	3
19	A422 1185	Belt Guide - Front Left	1
20	A338 1103	Transport Driven Roller	1
21	A437 1115	Drive Roller - Transport Belt	1
22	A465 1127	Transport Belt	1
23	A338 1522	Left Cover	1
24	A422 1475	Main Board Cover	1
25	A422 1604	Cushion - 8x15x25	1
26	A422 1603	Seal - 2x8x14	1
27	A338 1152	Magnetic Holder	1
28	A437 1331	Grip Cover	1
29	A422 1130	Reflector Plate	1
31	59367901	Decal - English	1
32	A422 1103	Rear Frame	1
33	A437 1161	Feed-out Motor Cover	1
34	A422 1056	Gear - 19T	1
36	A437 2017	Dip SW Decal	1
37	A437 1100	Front Frame	1

Index No.	Part No.	Description	Qty Per Assembly
38	14371110	Support Roller Holder	2
101	0353 0050W	Tapping Screw - M3x5	
102	0314 0060W	Philips Pan Head Screw - M4x6	
103	0951 4006W	Philips Screw With Flat Washer - M4x6	
104	0720 0040E	Retaining Ring - M4	
105	0720 0050E	Retaining Ring - M5	
106	0720 0030E	Retaining Ring - M3	
107	0344 0060W	Philips Truss Head Screw - M4x6	
108	08011185	Philips Truss Head Screw - M4x8	
109	11060503	Snap Bush - 1.3mm	
110	07423906	Ball Bearing -6x14x5mm	
111	0632 0100G	Pin - 2x10mm	

5. PAPER EXIT SECTION (A338)

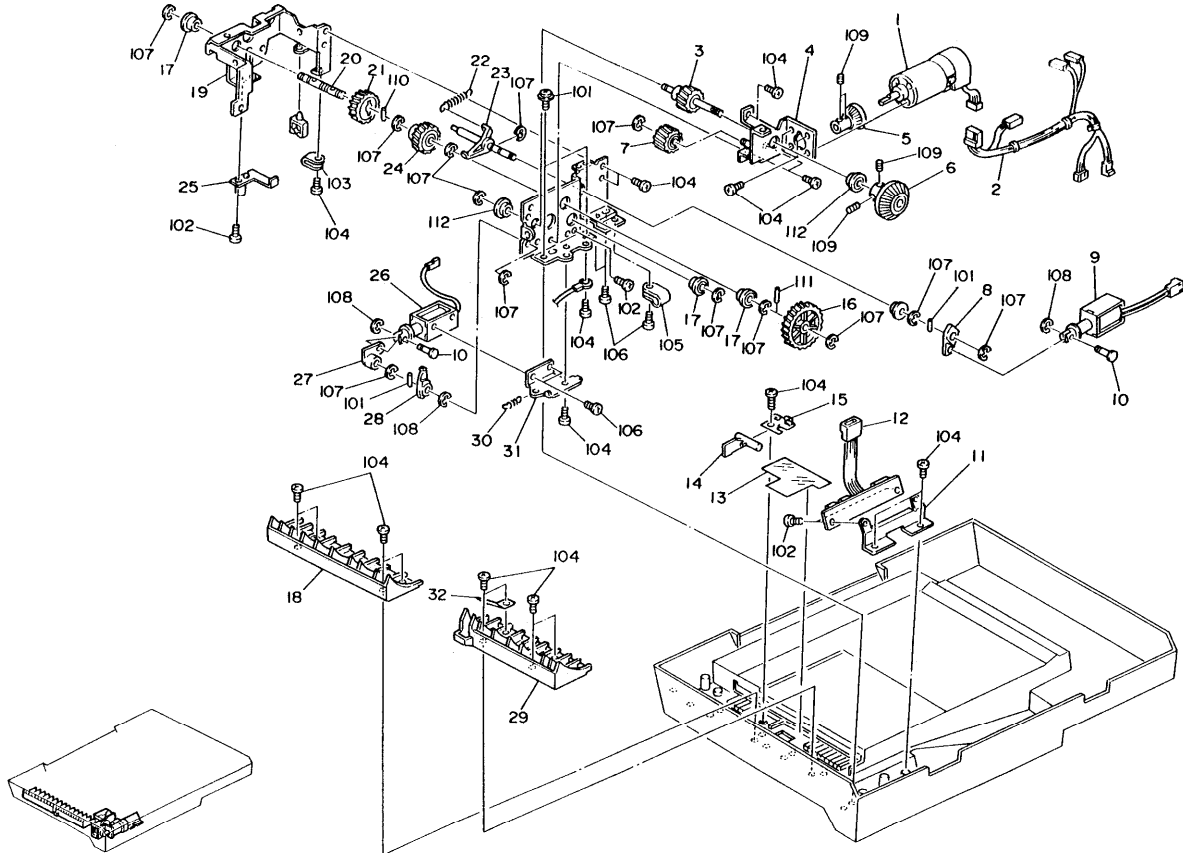


5. PAPER EXIT SECTION (A338)

Index No.	Part No.	Description	Q'ty Per Assembly
1	A465 1075	Shaft - 3x25	1
2	A465 1074	Pin - 4x77.5	1
3	A465 1073	Pin - 4x76.5	1
4	A437 1072	Pull-out Bracket	1
5	A465 1077	Release Lever	1
6	A465 1070	Lever Spring	1
7	A465 1076	Release Lever Knob	1
8	A497 1077	Mylar - 18x306	1
9	A422 1064	Hinge - Pull-out	1
10	A422 1086	Pull-out Spring	2
11	A465 1072	Lock Spring	2
12	A422 1063	Seal - 0.7x13x20	2
13	52055250	LED Sensor Type S	1
14	A422 1087	Shoulder Screw - M3x3	1
15	A497 5202	Harness- Pulse Generator	1
16	A437 1065	Lower Guide Plate	1
17	A465 1067	Mylar - 0.1x14.5x44	1
18	A465 1066	Mylar - 0.1x21x58	1
19	A437 1071	Harness Cover	1
20	A422 1080	Pulse Generator	1
21	A422 1067	Relay Roller Shaft	1
22	A437 1070	Cushion - 2.5x14x50	1
23	A422 1068	Relay Roller	2
24	A422 1071	Pull-out Lever	2
25	A422 1356	Pin - 3x26mm	1
26	A422 1358	Friction Belt	1
27	A422 1360	Friction Belt Holder	1
28	58752088	Shoulder Screw - M4	1
29	A422 1351	Seal - 0.5x37x71 mm	1
30	A497 1024	Guide Mylar	1
31	A422 1355	Friction Belt Spring	2
32	A465 1080	Fixing Plate - Feed-in Unit	1

Part No.	Description	
101-	0313 0040W	Philips Pan Head Screw - M3x4
102	0313 0060W	Philips Pan HeadScrew - M3x6
103	09504006W	Philips Screw With Lock Washer - M4x6
104	0314 0060W	Philips Pan Head Screw - M4x6
105	0314 0060B	Philips Pan Head Screw - M4x6
106	0951 4005W	Philips Screw With Flat Washer - M4x5
107	0720 0025E	Retaining Ring -M2.5
108	0720 0040E	Retaining Ring - M4
109	0632 0100G	Pin - 2x10mm

6. DRIVE SECTION (A338)



6. DRIVE SECTION (A338)

Index No.	Part No.	Description	Q'ty Per Assembly
1	AX06 0067	Feed-in Motor - DC 14W	1
2	A338 5204	Feed-in Motor Harness	1
3	A422 1504	Shaft/gear - 16T	1
4	A422 1507	Feed-in Motor Bracket	1
5	A422 1501	Gear - 20T	1
6	A497 1015	Gear -452	1
7	A422 1506	Gear - 25T	1
8	A422 1040	Feed-in Solenoid Lever	1
9	A422 5252	Solenoid - DC24V	1
10	58942229	Solenoid Pin	2
11	A437 1177	Indication Bracket	1
12	A422 5260	Indication Board	1
13	A422 1390	Entrance Seal	1
14	A422 1295	Set Sensor Actuator	1
15	A422 1176	Set Sensor Actuator Bracket	1
16	A422 1505	Gear - 57T	1
17	A422 1078	Bushing - 6x12x4mm	3
18	A422 1290	Front Guide Plate	1
19	A318 1021	Side Plate	1
20	A422 1503	Idle Shaft	1
21	A422 1050	Gear - 29T	1
22	58942176	Spring - Detent Arm	1
23	A422 1005	Clutch Pawl - Pick-up Roller	1
24	A422 1049	Gear - 27T	1
25	A422 1022	Support Plate	1
26	A4225255	Solenoid - DC24V(invertor)	1
27	A4221032	Lever -Pick-upSolenoid	1
28	A4221031	Lever -Pick-up Spring	1
29	A422 1291	Rear Guide Plate	1
30	A422 1082	Pick-up Spring	1
31	A422 1033	Pick-up Solenoid Bracket	1
32	A422 1605	Guide Plate - A4T	1

Index No.	Part No.	Description
101	06320080G	Parallel Key- 2x8mm
102	03130060N	Philips Pan Head Screw- M3x6
103	11050008	Nylon Clip - 2N
104	0344 0060W	Philips Truss Head Screw - M4x6
105	11050009	Nylon Clip - 5N
106	03130040W	Philips Pan Head Screw -M3x4
107	0720 0040E	Retaining Ring - M4
108	0720 0025E	Retaining Ring -M2.5
109	0573 0030E	Hexagon Headless Set Screw - M3x3
110	0632 0100G	Pin - 2x10mm
111	0632 0140G	Parallel Pin
112	0741 3505	Ball Bearing - 5x10x4

7. ELECTRICAL SECTION (A338)

Index No.	Part No.	Description	Q'ty Per Assembly
1	A437 1480	Right Hinge	1
2	A422 1121	Right Bracket - Right Hinge	1
3	A422 1120	Left Bracket - Right Hinge	1
4	58752088	Shoulder Screw - M4	2
5	A465 5213	Grounding Wire	1
6	A338 5207	I/F Harness	1
7	A338 5170	Main Control Board	1
8	A465 1126	Grounding Plate	1
9	A437 1420	Left Hinge	1
10	A338 1175	Harness Bracket	1
11	A318 1119	Left Hinge Bracket	1
12	AW01 0010	Photosensor	1
13	A422 5200	Main Harness	1
14	52191957	Stepped Screw - M4	1
15	A338 5213	Grounding Wire	1

Index No.	Part No.	Description	Q'ty Per Assembly
101	08011185	Philips Truss Head Screw - M4x8	
102	0951 4005B	Philips Screw With Flat Wash. - M4x5	
103	0314 0060W	Philips Pan Head Screw - M4x6	
104	0704 0040C	Toothed Washer - M4	
105	0950 4006W	Philips Screw With Lock Washer - M4x6	
106	12041319	Microswitch	
107	0313 0140W	Philips Pan Head Screw - M3x14	
108	11060430	Bushing - 13mm	
109	11070413	Fuse - 3A125V	
110	11050009	Nylon Clip - 5N	

8. MAIN CONTROL BOARD (A338)

CAPACITOR

SYMBOL NO.	INDEX NO.	SYMBOL NO.	INDEX NO.	SYMBOL NO.	INDEX NO.	SYMBOL NO.	INDEX NO.	SYMBOL NO.	INDEX NO.	SYMBOL NO.	INDEX NO.	SYMBOL NO.	INDEX NO.
C101	140	C111	151	C121	155	C131	155	C141	155	C151	155	CN101	105
C102	148	C112	151	C122	155	C132	155	C142	149	C152	154	CN102	103
C103	145	C113	143	C123	155	C133	155	C143	155	C153	155	CN103	106
C104	147	C114	153	C124	155	C134	155	C144	149	C154	155	CN104	104
C105	146	C115	153	C125	155	C135	155	C145	155	C155	152	CN105	107
C106	142	C116	141	C126	155	C136	166	C146	155			CN106	1
C107	150	C117	142	C127	155	C137	155	C147	155				
C108	147	C118	155	C128	155	C138	155	C148	155				
C109	144	C119	155	C129	155	C139	155	C149	155				
C110	145	C120	155	C130	155	C140	155	C150	155				

CONNECTOR

SYMBOL NO.	INDEX NO.
CN101	105
CN102	103
CN103	106
CN104	104
CN105	107
CN106	1

DIODE

SYMBOL NO.	INDEX NO.
D101	117
D102	117

FU

SYMBOL NO.	INDEX NO.
FU101	111
	112

IC

SYMBOL NO.	INDEX NO.
IC101	101
(Socket)	126
IC102	3
(Socket)	116
IC103	2
IC104	127
IC105	122
IC106	4
(Socket)	110
IC107	120

SYMBOL NO.	INDEX NO.
IC108	129
IC109	123
IC110	121
IC111	129
IC112	124
IC113	125
IC114	129
IC115	128
IC116	119

JP

SYMBOL NO.	INDEX NO.
JP102-1	109
JP102-2	109
JP102-3	109
JP102-4	109
JP103-1	109
JP103-2	109
JP103-3	109
JP103-4	109

JSW

SYMBOL NO.	INDEX NO.
JSW1	108
JSW2	108
JSW3	108
JSW4	108

NF

SYMBOL NO.	INDEX NO.
NF101	139

LED

SYMBOL NO.	INDEX NO.
LED101	118
LED102	118
LED103	118
LED104	118
LED105	118
LED106	118
LED107	118

DPS

SYMBOL NO.	INDEX NO.
DPS101	113

8. MAIN CONTROL BOARD (A338)

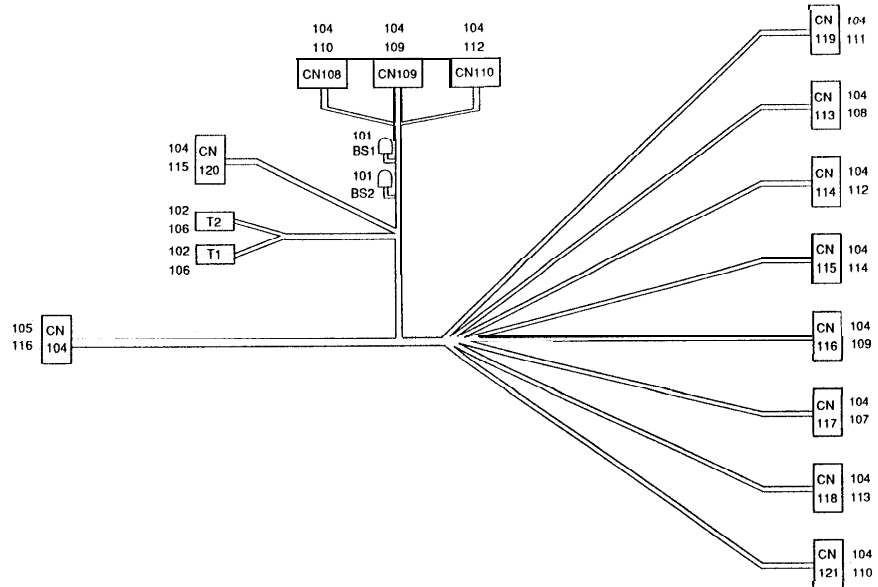
Index No.	Part No.	Description	Q'ty Per Assembly
	A338 5170	Main Control Board	1
1	A422 5210	Fiber Connector - 2P	1
2	A422 5350	IC - HCTL-3	1
3	59365221	Heat Sink	1
4	A3385187	IC - MBM27C128-25	1

Index No.	Part No.	Description	Q'ty Per Assembly
101	0050843	Heat Sink - OSH2425SP	
102	1010328	Connector Pin Contact	
103	1020958	Connector - 2P	
104	1022966	Connector - HIF3BA-34PA	
105	1030881	Connector - 4P	
106	1031726	Connector - 4P	
107	1031729	Connector - 7P	
108	11031878	Connector - 2P	
109	11033029	Connector - 2P	
110	11040271	IC Socket - 28P	
111	11040333	Fuse Holder	
112	11070413	Fuse - 3A 125V	
113	12040883	Dip Switch	
114	12041385	Push Switch	
115	14010282	Transistor - 2SB1020	
116	14010329	Transistor Array - MP4503	
117	14010832	Zener Diode - 100V 1A	
118	14030308	LED - TLR-102A	
119	14030784	Photocoupler - ON3131	
120	14070602	IC - TC4040BP	
121	14070604	IC - TC4049BP	
122	14071026	IC - SN74LS373N	
123	14071334	IC - UPD7810G	
124	14071348	IC - TD62304AP	
125	14071535	IC - TD62308AP	
126	14080076	IC - UPC14312H	
127	14080408	IC - PST518A	
128	14080521	IC - M51971L	
129	14080578	IC - HA17339	
130	15030070	Ceramic Oscillator - 10MHz	
131	16000239	Resistor - 0.47 Ω \pm 5% 1W	
132	16000544	Resistor - 1k Ω \pm 10% 1W	
133	16000576	Resistor - 33 Ω \pm 10% 1/8W	
134	16011732	Resistor - 390 Ω \pm 5% 1W	
135	16017326	Resistor Array - 10k Ω	

Index No.	Part No.	Description	Q'ty Per Assembly
136	1601 8145	Variable Resistor - 5k Ω 0.5W	
137	1601 8147	Variable Resistor - 10k Ω 0.5W	
138	1601 8148	Variable Resistor - 20k Ω 0.5w	
139	1602 0953	Coil - 800uh 2.5A	
140	1604 1362	Capacitor - 4.7UF 25V	
141	1604 1378	Capacitor - 1MF 50V	
142	1604 1379	Capacitor - 2.2UF \pm 20% 50V	
143	1604 1380	Capacitor - 3.3UF 50V	
144	1604 1381	Capacitor - 4.7UF 50V	
145	1604 1382	Capacitor - 10UF 50V	
146	1604 1383	Capacitor - 22MF 50V	
147	1604 1386	Capacitor - 100UF \pm 20% 50V	
148	1604 1390	Capacitor - 1000MF 50V	
149	1605 0141	Capacitor - 4700pF 50V	
150	1606 0658	Capacitor - 0.1UF 50V	
151	1606 1308	Capacitor - 27pF 50V	
152	1606 1326	Capacitor - 100pF 50V \pm 10%	
153	1606 1348	Capacitor - 0.022UF 50V	
154	1606 1451	Capacitor - 0.1UF 50V	
155	1606 1452	Capacitor - 0.01UF 50V	
156	1610 0035	Resistor - 100 Ω 1/8W	
157	1610 0047	Resistor - 330 Ω 1/8W \pm 5%	
158	1610 0053	Resistor - 1k Ω 1/8W \pm 5%	
159	1610 0057	Resistor - 1.5k Ω 1/8W	
160	1610 0065	Resistor - 3.3 Ω 1/8W	
161	1610 0067	Resistor - 4.7k Ω 1/8W \pm 5%	
162	1610 0071	Resistor - 10k Ω 1/8W	
163	1610 0073	Resistor - 12k Ω 1/8W \pm 5%	
164	1610 0079	Resistor - 22k Ω 1/8W	
165	1610 0107	Resistor - 1m Ω 1/8W	
166	1610 0286	Capacitor - 100pF 50V \pm 10%	
167	1611 4103	Resistor - 10k Ω 1/4T \pm 5%	
168	1611 4229	Resistor - 2.2ohm 1/4W \pm 5%	
169	1611 4272	Resistor - 2.7k Ω 1/4T \pm 5%	
170	1611 4393	Resistor - 39k Ω 1/8W	

Index No.	Part No.	Description	
171	6114472	Resistor - 4.7k Ω 1/4W \pm 5%	
172	6114563	Resistor - 56k Ω 1/4T \pm 5%	

9. MAIN HARNESS (A338)



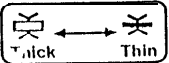
9. MAIN HARNESS (A338)

Index No.	Part No.	Description	Q'ty Per Assembly
	A422 5200	Main Harness	1

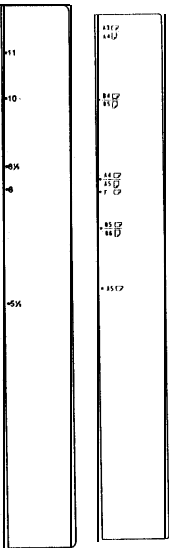
Index No.	Part No.	Description	
101	11000340	Connector- 1P	
102	11001169	Fastening Receptacle	
103	1100 1253	Pin - Mate-n-lock	
104	11001327	Contact	
105	1100 1348	Pin Contact	
106	11021408	Connector- 1P	
107	11021756	Connector-2P	
108	11021910	Connector-2P	
109	11021911	Connector-3P	
110	11021912	Connector-4P	
111	11021914	Connector-6P	
112	11021924	Connector-2P	
113	11021925	Connector-3P	
114	11021938	Connector-2P	
115	11021939	Connector-3P	
116	11030659	Connector-34P	

10. DECAL AND DOCUMENT (A338)

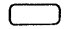
1




2



4




5



3

✚ Removing Misted Original

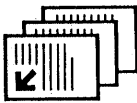
IP Is Lit or blinking



6

DIP SW 101				FUNCTION
1	2	3	4	Normal Mode
1	0	0	0	1 Sided Free Run
1	0	0	1	2 Sided Free Run
0	1	0	1	SOL Test(ON:SW101 ON, OFF:SW102 ON)
0	0	1	1	Moter Test(lift switch must be ON)
1	1	0	1	All Indicators On
1	1	1	1	

7



Place the original face up after correcting the curl.

10. DECAL AND DOCUMENT (A338)

Index No.	Part No.	Description	Q'ty Per Assembly
1	59367901	Decal - English	1
2	A338 1203	Decal - Scale(RIC)	1
2	A338 1204	Decal - Scale(NRG)	1
3	A338 2024	Decal - Misfeed Removal(RIC)	1
3	A338 2025	Decal - Misfeed Removal(NRG)	1
4	A422 2030	Decal - Inverter Guide Plate	1
5	A437 2017	Dip SW Decal	1
6	A437 2025	Decal - Original Limit	1
7	A437 2031	Original Table Decal(RIC)	1

Index No.	Part No.	Description	Q'ty Per Assembly